

BRUCE

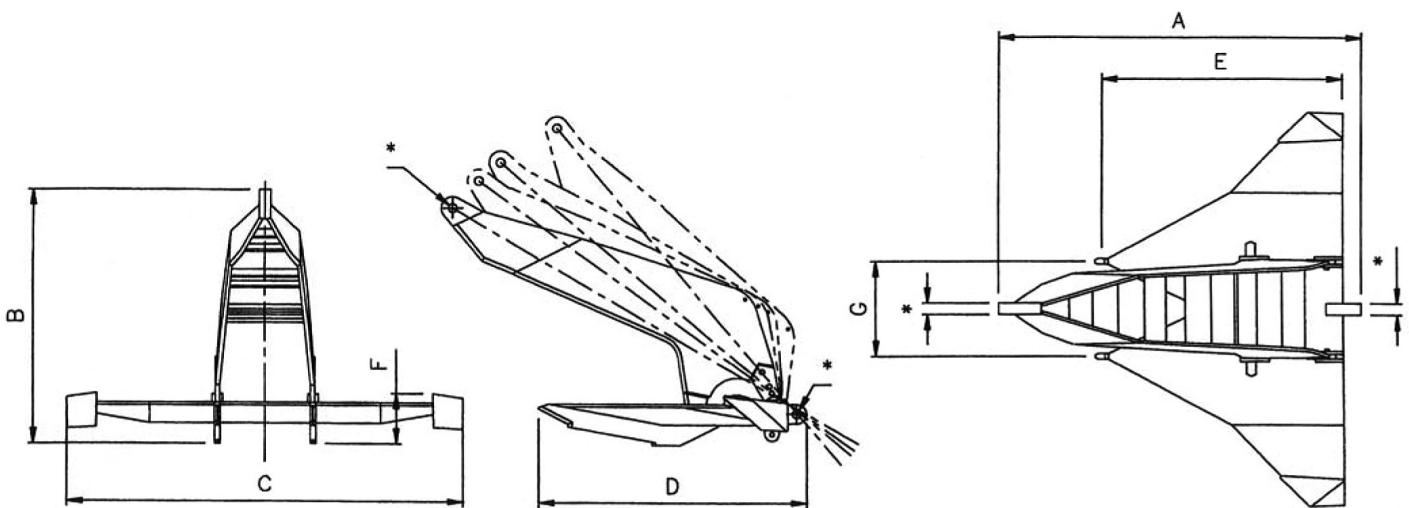
ANCHOR



BRUCE® FFTS PM ANCHOR

The high holding power anchor for permanent mooring requirements

- ◆ Superior holding performance in all seabeds
- ◆ Placement anchor for all permanent mooring applications
- ◆ Choice of fluke angles for optimum performance in hard and soft bottoms
- ◆ Simplified fluke angle adjustment by moving two plain pins, no welding required
- ◆ Disassembly into two parts for easier, lower cost shipping
- ◆ Design can be tailored to suit customer requirements
- ◆ Single point recovery lug on fluke minimises breakout resistance
- ◆ Dimensions marked* can be varied to suit required shackle sizes



Anchor Sizes Table

The table gives nominal dimensions of certain sizes but since the anchors are fabricated from steel plate they can be supplied in any size to suit customer requirements, from 250kg up to 60,000kg

Example Sizes	Nominal Dimensions (in mm)						
Weight (kg)	A	B	C	D	E	F	G
500	1938	1322	2106	1408	1310	269	507
1500	2793	1905	3034	2029	1889	387	729
3000	3541	2416	3847	2573	2395	491	926
5000	4196	2863	4559	3049	2837	582	1096
9000	5080	3466	5519	3691	3436	704	1328
10000	5352	3650	5816	3890	3619	742	1398
12000	5685	3653	6177	4131	3844	788	1486
15000	6023	4109	6544	4377	4073	835	1574
18000	6421	4379	6977	4669	4345	890	1678
20000	6758	4610	7343	4911	4570	937	1766
30000	7573	5167	8229	5504	5122	1050	1979
40000	8251	5629	8965	5996	5580	1144	2156

BRUCE

ANCHOR

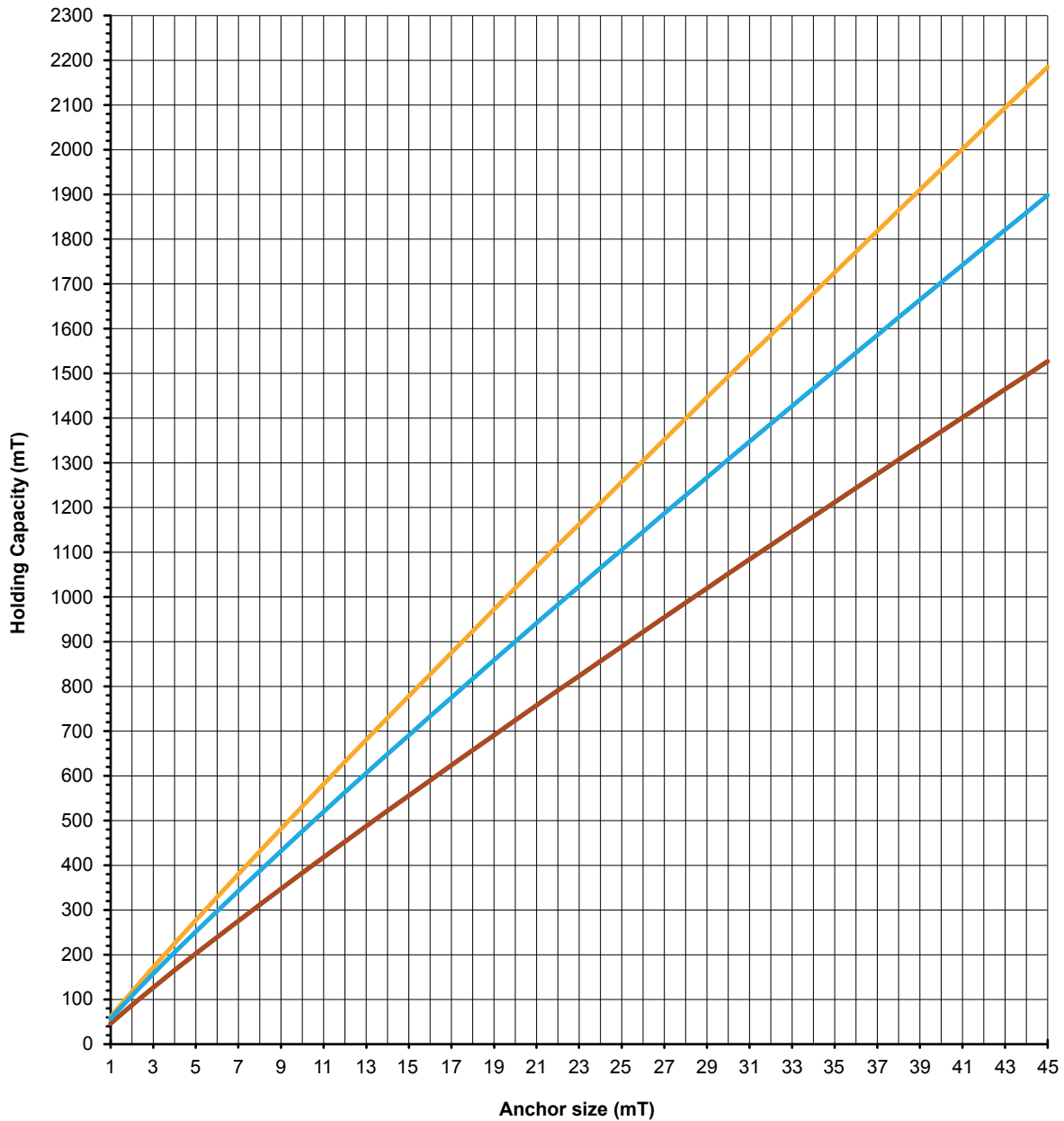


BRUCE® FFTS PM ANCHOR

Anchor Holding Capacity

$$HC(\text{chain/sand}) = 60.92W^{0.94} - HC(\text{chain/mud}) = 45.94W^{0.92} - HC(\text{wire/mud}) = 57.11W^{0.92}$$

— Bruce FFTS PM chain/sand — Bruce FFTS PM chain/mud — Bruce FFTS PM wire/mud



Bruce Anchor Limited, Anchor House, Cronkbourne,
Isle of Man, IM4 4QE, British Isles

Tel: **+44(0) 1624 629203** Fax: **+44(0) 1624 622227**

Email: sales@bruceanchor.co.uk Website: www.bruceanchor.co.uk