

BRUCE

ANCHOR

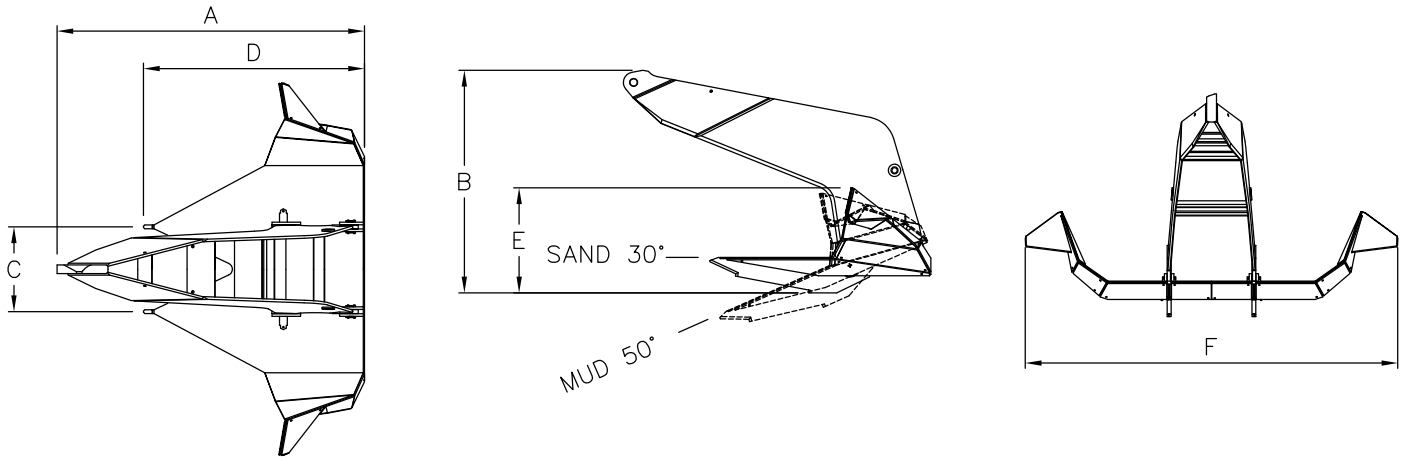


BRUCE® FFTS MK 4 ANCHOR

(PATENTED)

The high holding power self righting anchor

- ◆ Complete self-righting ability, even if it lands upside down
- ◆ Superior holding performance in all seabeds
- ◆ Cranked shank design reduces penetration resistance
- ◆ Choice of fluke angles for optimum performance in hard and soft bottoms
- ◆ Disassembly into two parts for easier, lower cost shipping
- ◆ Approved by ABS, BV, DNV GL, and LR as a general purpose high holding power anchor.



Anchor Sizes Table

The table gives nominal dimensions of certain sizes but since the anchors are fabricated from steel plate they can be supplied in any size to suit customer requirements, from 250kg up to 60,000kg

Example Sizes	Nominal Dimensions (in mm)					
Weight (kg)	A	B	C	D	E	F
500	1812	1312	499	1303	619	2196
1500	2626	1901	723	1888	897	3182
3000	3381	2447	932	2431	1155	4097
5000	3996	2892	1100	2873	1365	4842
9000	4806	3479	1324	3456	1642	5824
10000	5045	3652	1390	3627	1724	6114
12000	5393	3903	1485	3877	1842	6535
15000	5682	4112	1565	4085	1941	6885
18000	6079	4400	1674	4370	2076	7366
20000	6268	4536	1726	4507	2141	7594
30000	7166	5187	1974	5153	2448	8683
40000	7969	5768	2196	5729	2722	9656

BRUCE

ANCHOR

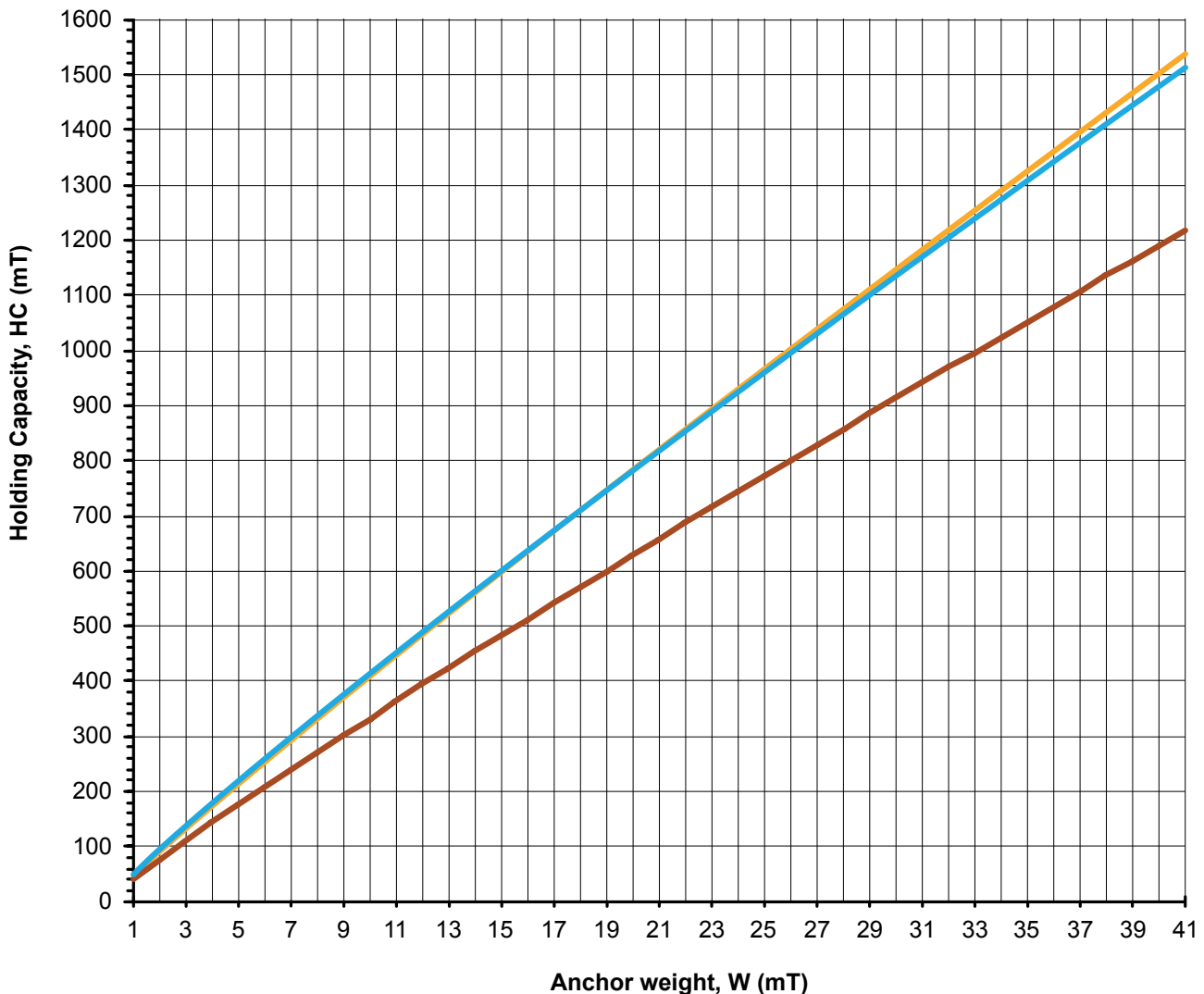


BRUCE® FFTS MK 4 ANCHOR (PATENTED)

Anchor Holding Capacity

HC (chain/sand) = $46.86W^{0.94}$ HC (chain/mud) = $39.95W^{0.92}$ HC (wire/mud) = $49.66W^{0.92}$

— Chain (sand) — Chain (mud) — Wire (mud)



Bruce Anchor Limited, Anchor House, Cronkbourne,
Isle of Man, IM4 4QE, British Isles

Tel: **+44(0) 1624 629203** Fax: **+44(0) 1624 622227**

Email: sales@bruceanchor.co.uk Website: www.bruceanchor.co.uk